

Name: Jake Wright

Date: 5/19/2009 Event: _____

City: _____ State: _____

Comp: _____

Terrain Slickrock Granite Sandy Wet Snow
 Conditions Volcanic River Rock "Red Rock" Dusty Other _____

Front Suspension

Upper Track Rod: Top

Shock Arm Position: A

Shock Mount Position: 5

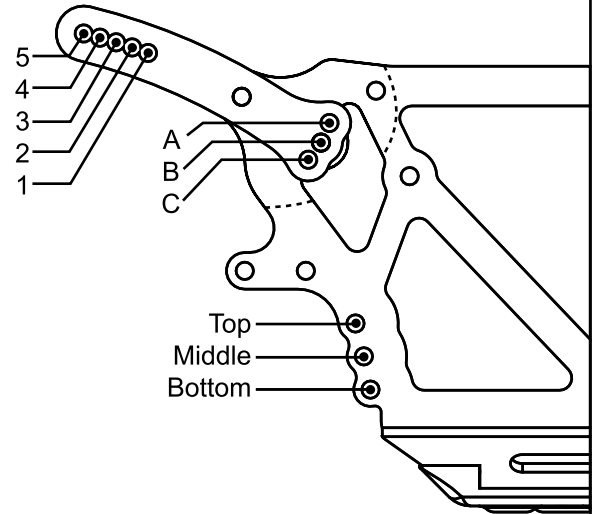
Shock Oil: 45 wt. Losi

Piston: 56

Inner Limiters: .375" (9.5mm)

Outer Limiters: .375" (9.5mm)

Spring: White



Notes: _____

Rear Suspension

Upper Track Rod: Middle

Shock Arm Position: A

Shock Mount Position: 3

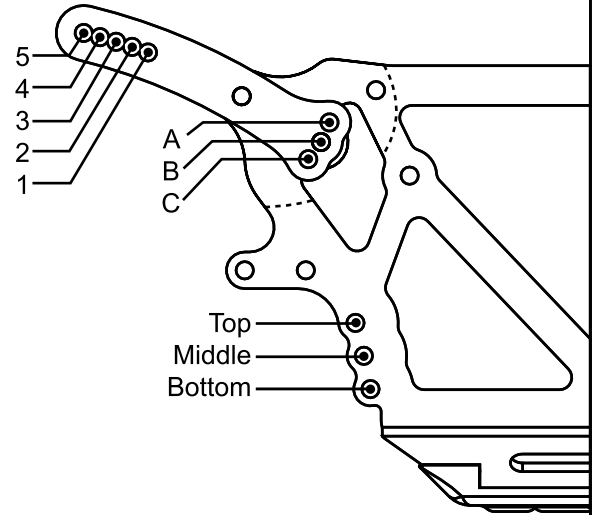
Shock Oil: 45 wt. Losi

Piston: 56

Inner Limiters: .375" (9.5mm)

Outer Limiters: .375" (9.5mm)

Spring: White



Notes: _____

Tires:	Type	Compound	Insert	Weight	Pinion:
Front:	<u>Comp Claw</u>	<u>Blue</u>	<u>Memory</u>	<u>9oz. per</u>	<u>16</u>
Rear:	<u>Comp Claw</u>	<u>Blue</u>	<u>Memory</u>	<u>6oz. per</u>	<u>21.5</u>
					Battery Detail: <u>11.1v 3S 1350 mAh</u>
					<u>LOS9865</u>

Notes: _____
